



S-FD SMART FACTORY TECHNOLOGY DEVELOPMENT JOINT STOCK COMPANY

Add Business license: Xóm 4, Thôn Hải Bối, Xã Hải Bối, Huyện Đông Anh, Thành phố Hà Nội

Office: Tầng 28, tòa Park 4, EURO WINDOW RIVER PARK, cầu Đông Trù,Đông Hội,ĐA,HN

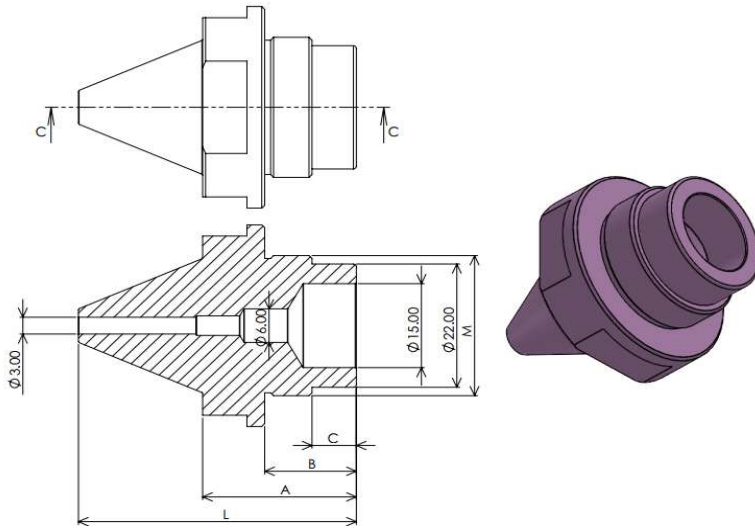
Tel: 0968108285-0912655285

MST:0109271128

Email: dd.nguyen@sfd-jsc.com/sale@sfd-jsc.com/sfd.jsc@gmail.com/svina.sale@gmail.com

Web: sfd-jsc.com

PLASMA GUIDER



Order code Guider:

PG-M2-T1-26-15-10-M25-80



1	TIP
2	Material
3	Tolerant
4	Dimention
5	Hardness

* Dimention in box or Dimention of customer's drawing

TIP	Material		Type	Tolerant			Dimention					Hardness (HRC)	Other spec				
				Surface	Tolerant		A	B	C	L	M		Heating	Surface treatment	Packing		
PG	YG8	M1	-	T1	Rz1.6	±0.005 ≡ ±0.01	24	15	10	32	M5	10				●	
	KG7-C-AU	M2					26	20	12	37	M10	20				●	
	SB60	M3					30	24	14	42	M15	30				●	
	KN70	M4					35	32	16	47	M20	40				●	
	HD20	M5		T2	Rz3.2	±0.01 ≡ ±0.02	40	36	18	52	M25	50					●
	SKH51	M6					45	40	20	57	M30	60	●			●	
	P9	M7					50	44	22	62	M35	70	●			●	
	P16	M8		T3	Rz6.5	±0.01 ≡ ±0.03	55	48	24	67	M40	80	●				●
	SKD 11	M9					60	52	26	72		90	●			●	
	SKD 61	M10					65	56	28	77			●			●	
	65Mn	M11					70	60	30	82			●			●	
	Vonfram-AU	M12					75	64	32	87				●		●	
	Molipden	M13					80	68	34	92				●		●	

*****Note: All dimention out of standard can following customer's drawing